



AA403 Purlin Anchor Installation Instructions



Things to know:

AA403 has been developed as for applications in rope access (abseiling) but can also be used to support a fall arrest load of 15kN. It can be installed into steel purlins of various tray deck and kliplok types of roofs of the following minimum requirements:

Steel structure: Minimum purlin gauge – 150mm x 1.2mm

Roof sheet: Minimum sheet gauge – 0.42mm

Minimum roof size: For rope access there must be minimum of 3 purlins supporting the roof sheet. For fall arrest there must be minimum of 5 purlins supporting the roof sheet. Refer to installation steps for details (fig 8)

Loading: Always in shear with the roof

Tools needed:

Cordless drill, 25mm hole saw, brush and dust pan or vacuum, a bar to tighten

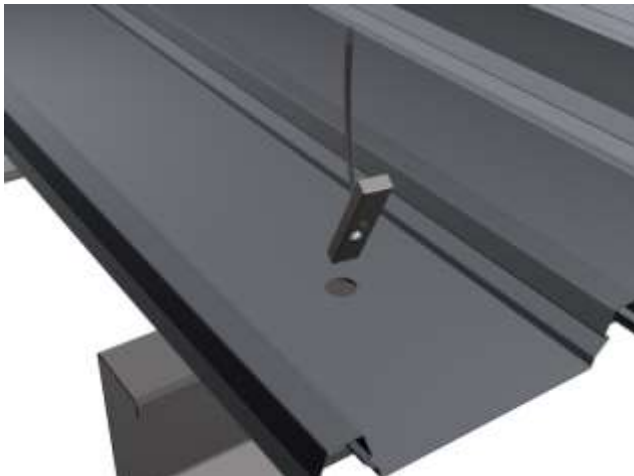
Installation steps:

1. Assemble the 80mm plate with neoprene seal onto the eyebolt

2. Drill a 25mm hole in the centre of the purlin at the required position.



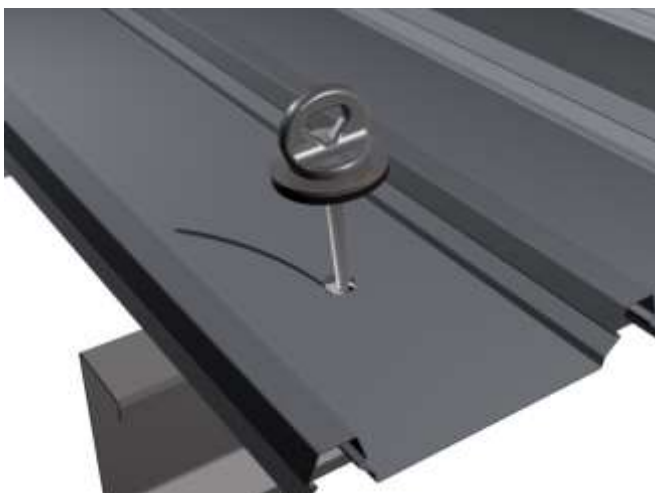
3. Feed the plastic cable tie through the small (5mm) hole in the steel block.



4. While firmly holding the cable tie, insert the block through the hole.

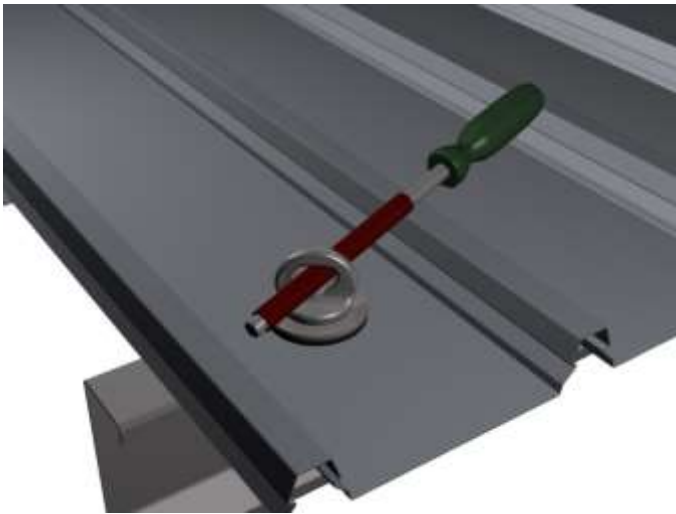
5. When the steel block is fully through the hole, pull the cable tie back, pressing the block firmly against the underside of the purlin. Make sure the threaded hole of the block is visible.

6. Using your other hand take the eyebolt and screw it into the steel block at least 6 turns.



7. Release the cable tie and let it fall through the roof.

8. The eye bolt can be now fully tightened using a bar (40Nm is recommended). Make sure the eyebolt faces the right direction when fully tightened.



NOTE: The neoprene seal will work better on a clean roof. In case the roof is not in a clean condition, it may require some sealant under the neoprene seal.

Annual re-certification

All anchor points must be inspected and certified before their initial use and subsequently on regular basis to satisfy the requirements set out in AS/NZS 1891.4:2009 and AS/NZS 4488.2:1997

Note:

The roof structure must be assessed by a structural engineer unless it is clear to a suitably qualified person that it is capable of withstanding the forces imposed on it during arresting of a fall and during work positioning.

DISCLAIMER

All product specifications and technical descriptions, recommendations and other information provided in this document are given as general guidance and advice, and are to be considered in conjunction with Safety Roof Anchors installation instructions and any other data available and applicable to each particular standard product or system. Use of such data is however the user's sole responsibility taking into account the intended application and actual conditions existing on the specific worksite. Consequent selection of the right product for any particular use remains the user's ultimate responsibility.

Safety Roof Anchors is therefore not obligated or liable for any direct or indirect, incidental or consequential damages, losses or expenses in connection with, or by reason of the suitability and use of or otherwise, any product or system for any purpose. Implied warranties of merchantability or fitness for any particular purpose are specifically excluded. Safety Roof Anchors maintains a policy of continuous improvement and development, and therefore reserves the right to modify, amend or otherwise alter product and system designs and specification, models and part numbers, colours and pricing etc., without prior notice. Safety Roof Anchors accepts no liability whatsoever for incorrect information, errors or omissions.